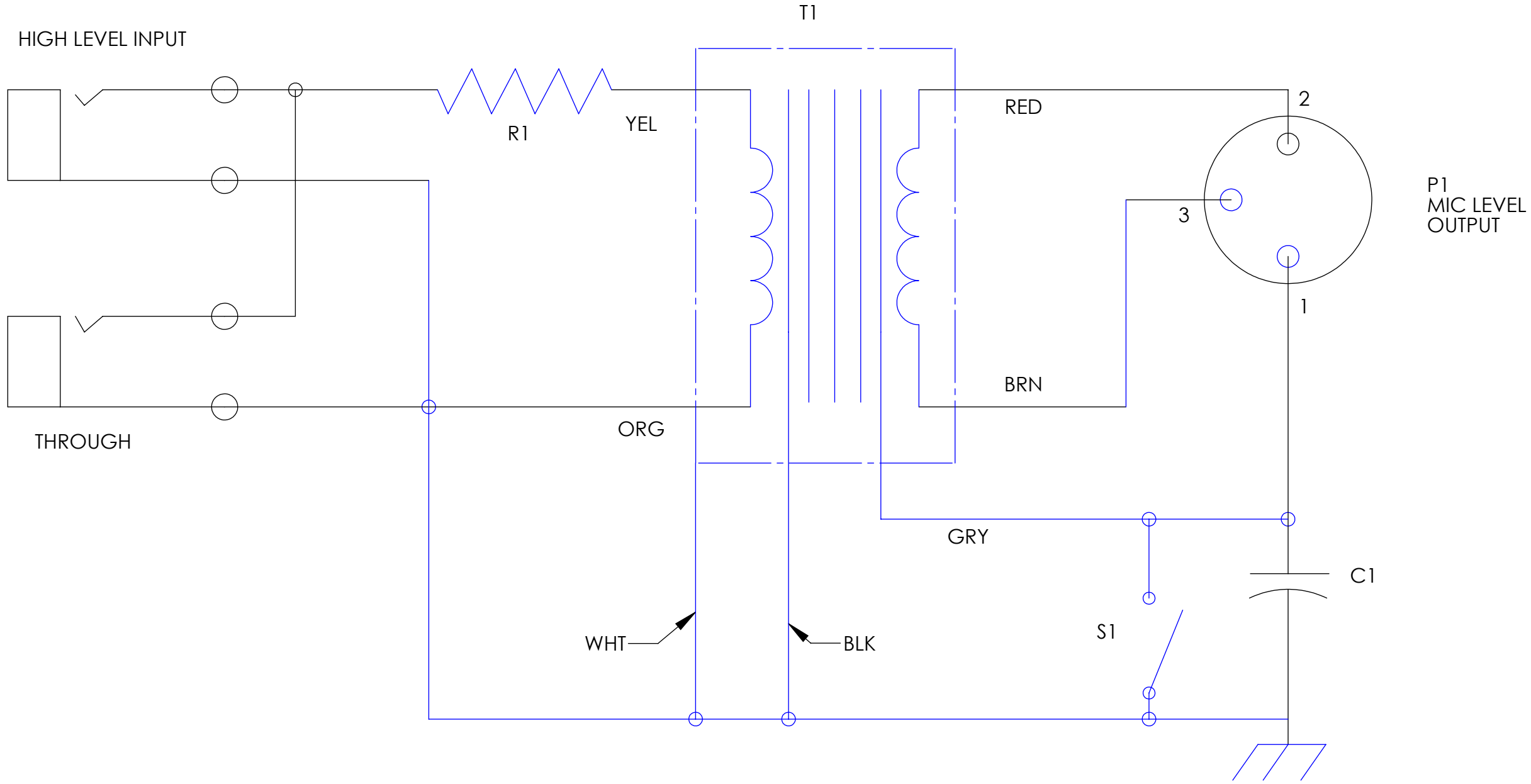


REVISIONS			
REV.	DESCRIPTION	DATE	APPROVED



Pin 1 is grounded with the switch toggle set closest to pin 1
 R1 6.8K
 C1 .01 uf

<http://www.lbpinc.com/DI.html>

HONOR GOD SERVE PEOPLE DEVELOP EXCELLENCE GROW PROFITABLE FOLLOWING BIBLICAL PRINCIPLES		LBP INCORPORATED	
		Direct Box	
DWG. NO. 4705		SHEET 1 OF 1	
SIZE B		REV. A	